



Bakersfield Arbor

Model# 11197

Assembly Instructions

General Information

PLEASE READ THROUGH BEFORE BEGINNING ASSEMBLY.

IMPORTANT: Check boxes for Contents Listed

Check inside of parts as some parts are packaged inside of others

In the event of missing, damaged or defective parts please call our customer service dept. at 1-877-258-6020 or e-mail sales@dura-trel.com

When assembling components, place on a clean, flat non-abrasive surface to avoid scratches

Tools Required

- ... Battery or Electric Drill with #2 phillips bit
- ... Tape Measure
- ... Hammer or Rubber Mallet (recommended)
- ... Shovel or Post Hole Digger (recommended)
- ... PVC, Super, or Crazy Glue

<u>Part #</u>	<u>Description</u>	<u>Qty</u>
1	2" sq. x 84" Left Post	2
2	2" sq. x 84" Right Post	2
3	7/8 x 1 1/2 x 27 1/2" Bottom Cross Rail	4
4	7/8 x 1 1/2 x 27 1/2" Center Cross Rail	8
5	1 x 1 x 60" Vertical Rail	6
6	1 1/2 x 4 x 72" Arbor Top Rail	2
7	7/8 x 3 x 26 1/4" Arbor Top Cross Rail	6
8	7/8 x 1 1/2 x 72" Overhead Rail	3
9	Hardware Bag (includes:)	1
	4" Arbor Top End Cap	4
	2" sq." Post Cap	4
	7/8 x 1 1/2" End Cap	6
	3/4" Painted Screw	24
	Super Glue Tube	1
10	Arbor Ground Anchor Kit (includes:)	1
	16" Steel Ground Anchor (L-Shaped)	4
	#8 - 1" Painted Self Tapping Screw	8

Warranty Statement

20 Year Guarantee

Please call manufacturer direct with questions concerning missing or defective parts at Toll Free: 877-258-6020.

Dura-trel, Inc. products are warranted to be free from manufacturing defects resulting in delaminating, peeling, flaking, corroding, cracking, crazing, or extreme amounts of fading or bleaching causing the PVC to change to its natural color for a period of 20 years from the date of purchase.

Normal weathering is defined as exposure to sunlight and extremes of weather and atmosphere which will cause any colored surface to gradually fade.

CONDITIONS NOT COVERED BY THIS WARRANTY:

- A. Physical abuse, misuse, neglect, or improper storage.
- B. Improper installation or installation not in strict adherence to the instructions written by Dura-Trel, Inc.
- C. This warranty does not apply if materials are painted, varnished, or coated with any substance.
- D. Dura-Trel, Inc. is not responsible for damages to product during shipping.
- E. Damage attributable to atmospheric pollutants, hail, lightning, hurricane, tornado, wind borne objects, earthquake, fire, mildew, casualty, act of God, building or ground settlement, or subjection to stress or weight.

CLAIMS AND REMEDIES:

If a Dura-Trel, Inc. product is determined to have a manufacturing defect which is covered by this warranty, Dura-Trel, Inc. will replace the material containing the defect (labor not included) F.O.B from the point of manufacture. Dura-trel, Inc. will not be responsible for any cost incurred in the removal or reinstallation of the product.

Important: An claims must be sent to the following address and should describe the defect claim.

Dura-Trel, Inc., P.O. Box 122, Sheboygan Falls, WI 53085

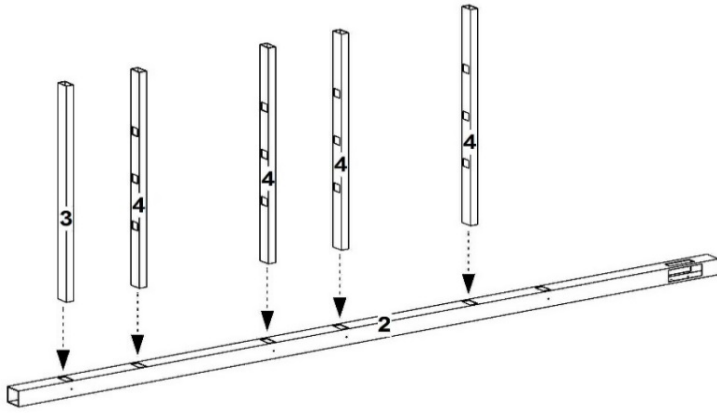
Dura-Trel, Inc. reserves the right to discontinue or change its design, and or color. If the original color or style is not available, Dura-Trel, Inc. shall have the right to substitute a product designated by Dura-Trel, Inc.

Dura-Trel, Inc. shall not be liable for any incidental, special, or consequential damages arising out of the use of these products



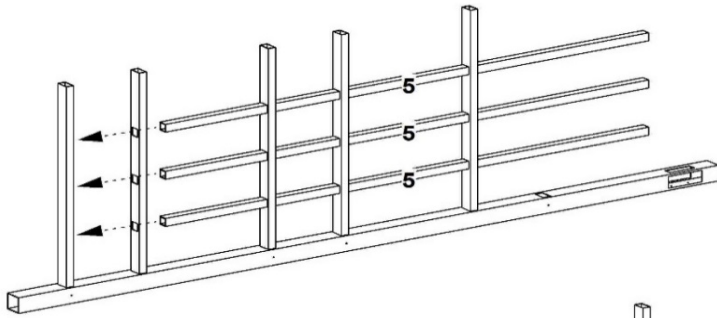
150 Birch Road
P.O. Box 122
Sheboygan Falls, WI 53085

1-877-258-6020
www.dura-trel.com
sales@dura-trel.com



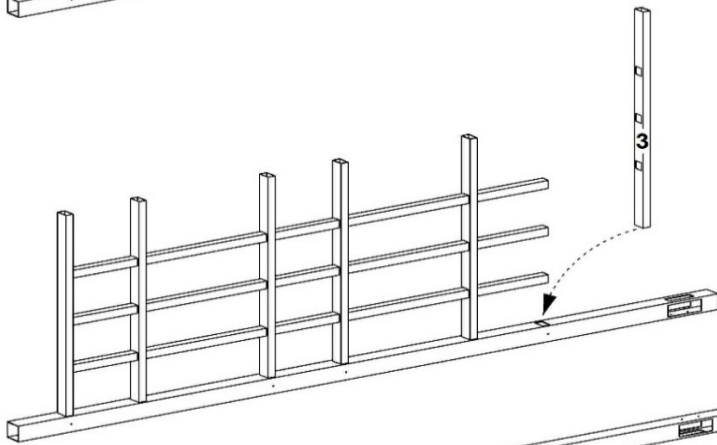
1

Lay out one right post (part 2). Starting at bottom, insert one top/bottom cross rail (part 3) and four center cross rails (part 4).



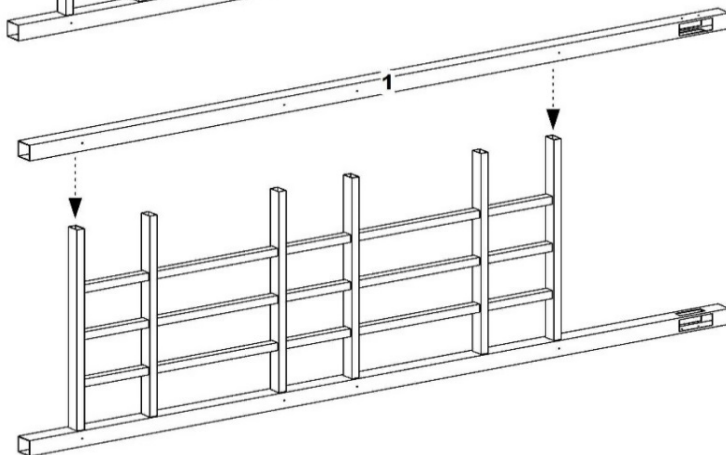
2

Insert three vertical rails (part 5) through center rails and into bottom rail.



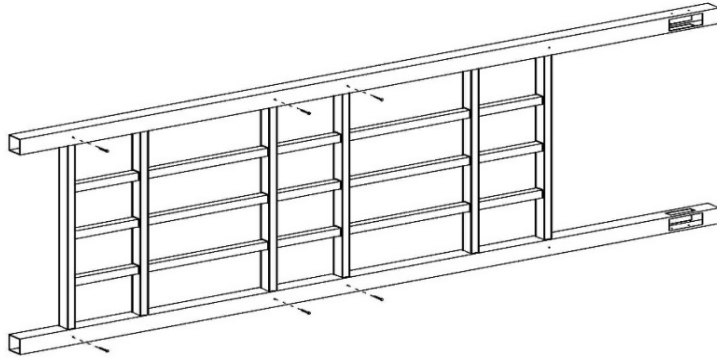
3

Insert second top/bottom rail (part 3) into post and slide vertical rails into top rail.



4

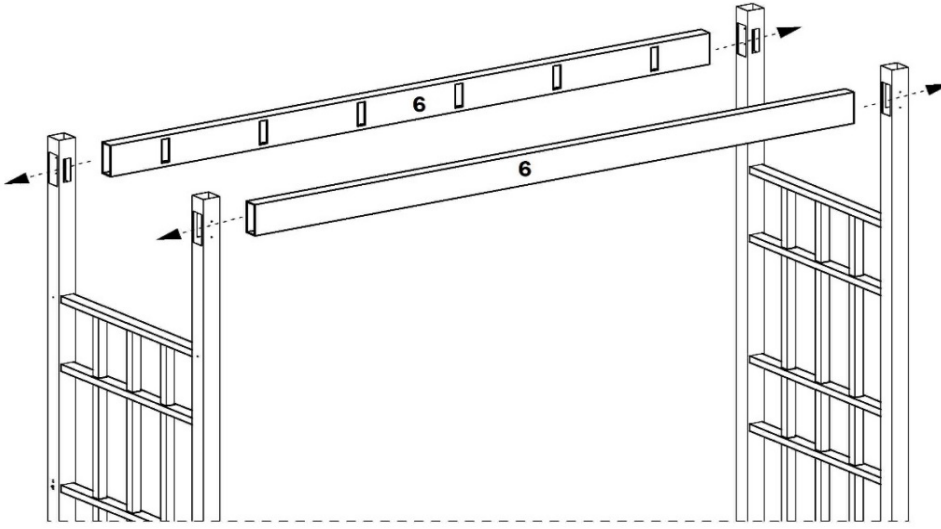
Slide one left post (part 1) over corresponding cross rails.



5

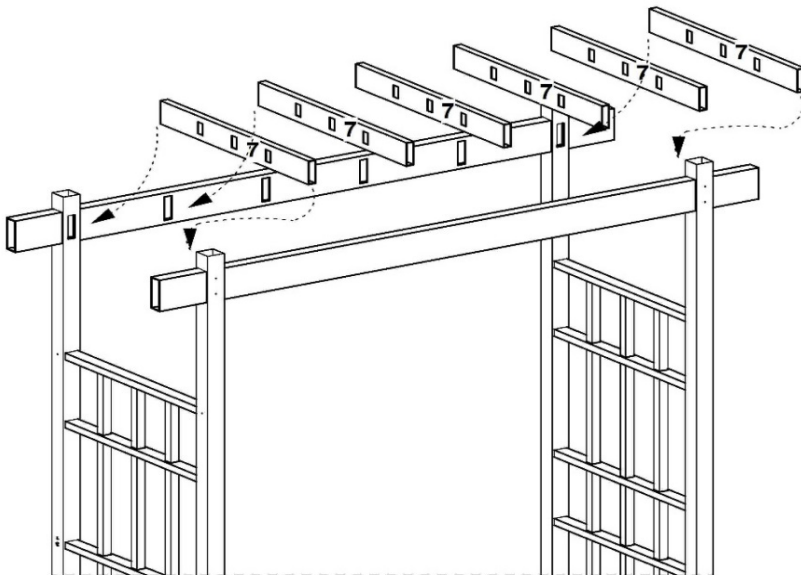
Using $\frac{3}{4}$ " screws, screw together BOTTOM 3 spots of arbor panel. DO NOT screw together top spot of each post. Be sure that all parts are fully inserted into posts before securing.

REPEAT steps 1-5 to



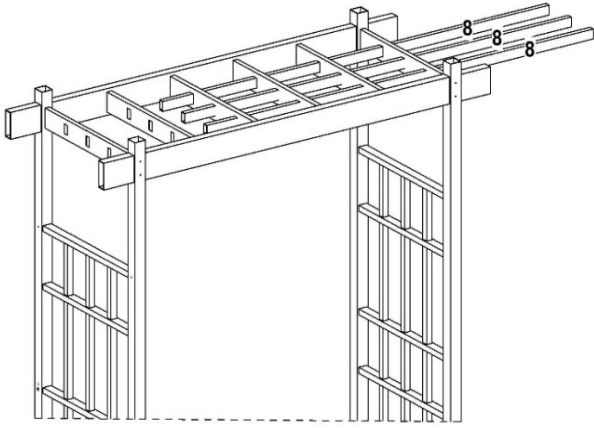
6

Insert ends of arbor top rails (part 6) through holes at top of each post of arbor panels.



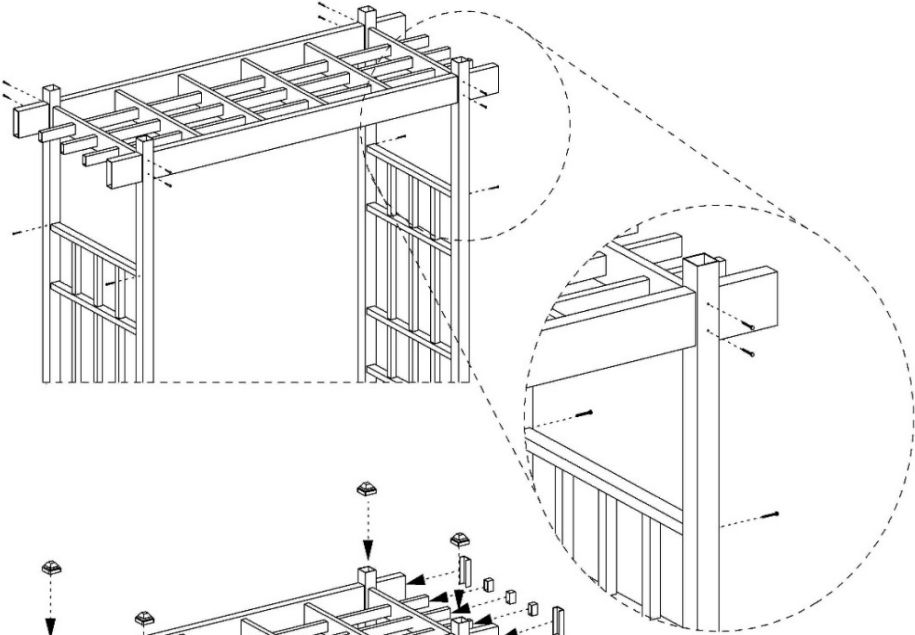
7

Separate tops of arbor panels just enough to insert six top cross rails (part 7) into arbor top rails.



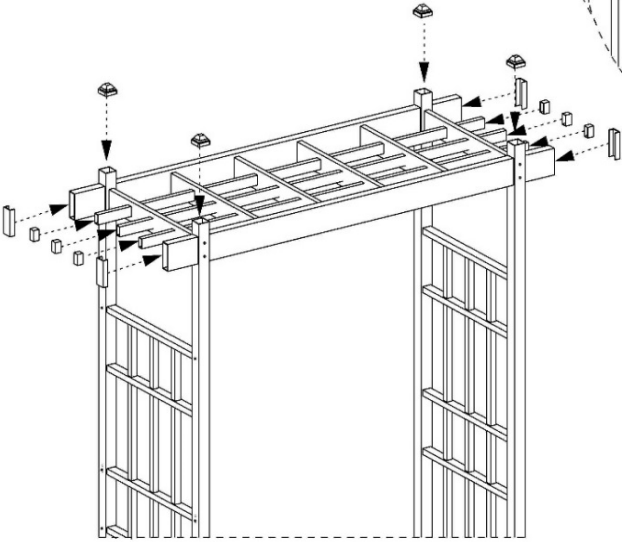
8

Slide three overhead rails (part 8) through holes each top cross rail. Overhead rails should stick out equally on both sides.



9

Using remaining $\frac{3}{4}$ " screws, screw remaining arbor panel spots and screw arbor panels to arbor top rails.



1

Using super glue tube, glue four arbor top end caps onto ends of arbor top rails. Glue 2" sq. post caps onto posts. Glue $\frac{7}{8}$ x 1 $\frac{1}{2}$ " caps onto ends of overhead rails.