

# Hartford Arbor

Model# 11110

Assembly Instructions



## General Information

PLEASE READ THROUGH BEFORE BEGINNING ASSEMBLY.

IMPORTANT: Check boxes for Contents Listed

Check inside of parts as some parts are packaged inside of others

In the event of missing, damaged or defective parts please call our customer service dept. at 1-877-258-6020

When assembling components, place on a clean, flat non-abrasive surface to avoid scratches

## Tools Required

- ... Battery or Electric Drill with #2 phillips bit
- ... Tape Measure
- ... Hammer or Rubber Mallet (recommended)
- ... Shovel or Post Hole Digger (recommended)

<u>Part #</u>	<u>Description</u>	<u>Box #</u>	<u>Qty</u>
1	4" sq. x 72" Left Post	1	2
2	4" sq. x 72" Right Post	1	2
3	2" sq. x 36 $\frac{3}{4}$ " Top/Bottom Cross Rail	1	4
4	2" sq. x 36 $\frac{3}{4}$ " Center Cross Rail	1	4
5	$\frac{7}{8}$ x 1 $\frac{1}{2}$ x 59 $\frac{1}{2}$ " Outside Vertical Rail	1	4
6	$\frac{7}{8}$ x 1 $\frac{1}{2}$ x 59 $\frac{1}{2}$ " Middle Vertical Rail	1	2
7	$\frac{7}{8}$ x 1 $\frac{1}{2}$ x 16" Horizontal Rail	2	6
8	4" sq. Arbor Top Arch Half	2	4
9	3 $\frac{3}{4}$ x 6" Arbor Top Connector Tube	2	6
10	Decorative Knuckle	2	6
11	2" sq. x 36 $\frac{3}{4}$ " Arbor Top Rail	2	8
12	24" Ground Anchor (U-shaped)	1	4
13	Hardware Bag (includes:)	2	1
	1 $\frac{1}{2}$ " Painted Screw		24
	$\frac{3}{4}$ " Painted Screw		36
	#8 - 1" Painted Self Tapping Screw		8



115 Vision Parkway  
P.O. Box 122  
Sheboygan Falls, WI 53085

1-877-258-6020  
www.dura-trel.com  
sales@dura-trel.com

# Warranty Statement

## 20 Year Guarantee

**Please call manufacturer direct with questions concerning missing or defective parts at Toll Free: 877-258-6020.**

Dura-trel, Inc. products are warranted to be free from manufacturing defects resulting in delaminating, peeling, flaking, corroding, cracking, crazing, or extreme amounts of fading or bleaching causing the PVC to change to its natural color for a period of 20 years from the date of purchase.

*Normal weathering is defined as exposure to sunlight and extremes of weather and atmosphere which will cause any colored surface to gradually fade.*

### **CONDITIONS NOT COVERED BY THIS WARRANTY:**

- A. Physical abuse, misuse, neglect, or improper storage.
- B. Improper installation or installation not in strict adherence to the instructions written by Dura-Trel, Inc.
- C. This warranty does not apply if materials are painted, varnished, or coated with any substance.
- D. Dura-Trel, Inc. is not responsible for damages to product during shipping.
- E. Damage attributable to atmospheric pollutants, hail, lightning, hurricane, tornado, wind borne objects, earthquake, fire, mildew, casualty, act of God, building or ground settlement, or subjection to stress or weight.

### **CLAIMS AND REMEDIES:**

If a Dura-Trel, Inc. product is determined to have a manufacturing defect which is covered by this warranty, Dura-Trel, Inc. will replace the material containing the defect (labor no included) F.O.B from the point of manufacture. Dura-trel, Inc. will not be responsible for any cost incurred in the removal or reinstallation of the product.

**Important:** An claims must be sent to the following address and should describe the defect claim.

**Dura-Trel, Inc., P.O. Box 122, Sheboygan Falls, WI 53085**

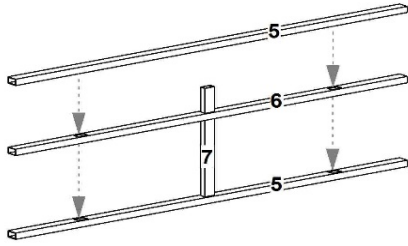
Dura-Trel, Inc. reserves the right to discontinue or change its design, and or color. If the original color or style is not available, Dura-Trel, Inc. shall have the right to substitute a product designated by Dura-Trel, Inc.

Dura-Trel, In.c shall not be liable for any incidental, special, or consequential damages arising out of the use of these products



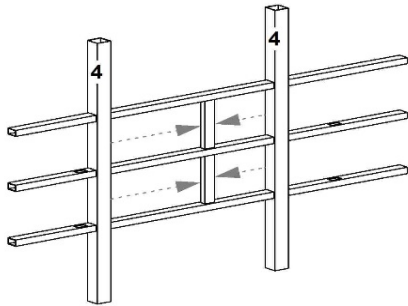
115 Vision Parkway  
P.O. Box 122  
Sheboygan Falls, WI 53085

1-877-258-6020  
www.dura-trel.com  
sales@dura-trel.com



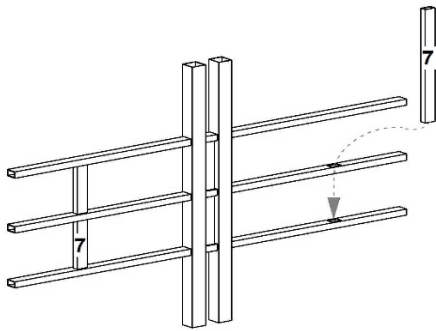
**1**

Lay out one outside vertical rail (part 5). Insert one 16" rail (part 7) into center hole. Insert free end of 16" rail through center hole of one middle vertical rail (part 6). Insert free end of the 16" rail into center hole of another outside vertical rail (part 5).



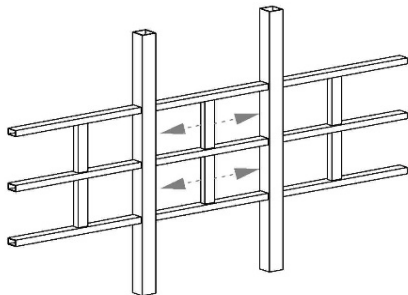
**2**

On each end of assembly, slide vertical rails through one center cross rail (part 4). Slide center cross rails all the way to 16" rail.



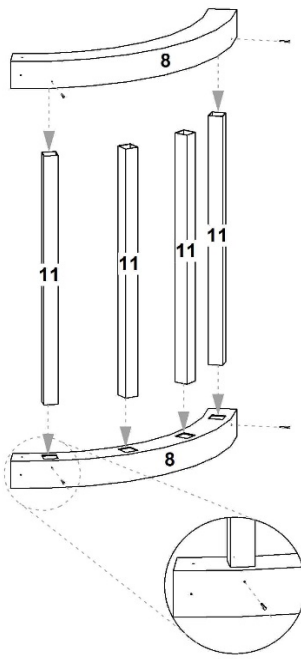
**3**

On each end of assembly, insert one 16" rail through middle vertical rail and into outside vertical rails. The vertical rails will need to be flexed to slide 16" into open holes.



**4**

Slide center cross rails away from middle 16" rail. Center cross rails should be centered between 16" rails.

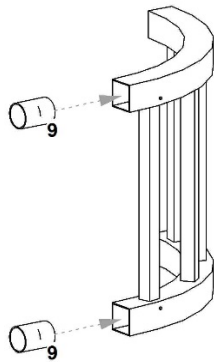


**8**

Lay out one arbor top arch half (part 8). Insert four 36 $\frac{3}{4}$ " rails (part 11) into arch half. Slide another arch half over 36 $\frac{3}{4}$ " rails.

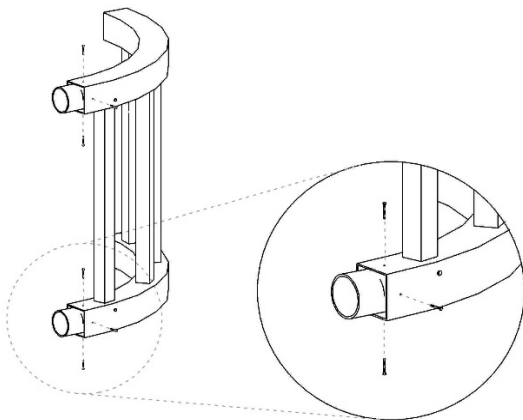
Using four 1 $\frac{1}{2}$ " screws, screw together arbor top half. Be sure that all parts are fully inserted before securing.

REPEAT using remaining two arbor top arch halves and four 36 $\frac{3}{4}$ " rails.



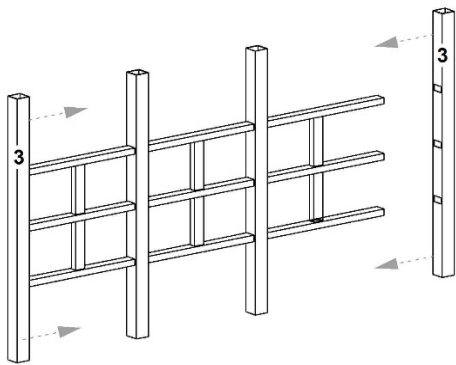
**9**

Using only one arbor top half from step 8, slide two arbor top connector tubes (part 9) into one end of arbor top half. Connector tubes should be inserted half way (up to black mark)



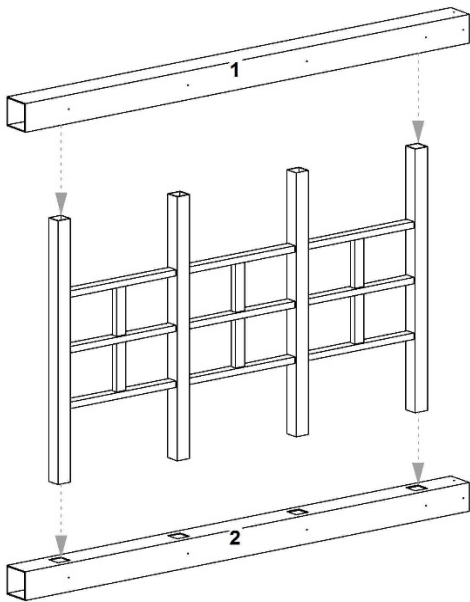
**10**

Using six  $\frac{3}{4}$ " screws, fasten both connector tubes to arch halves. Be sure connector tube is only inserted half way (up to black mark).



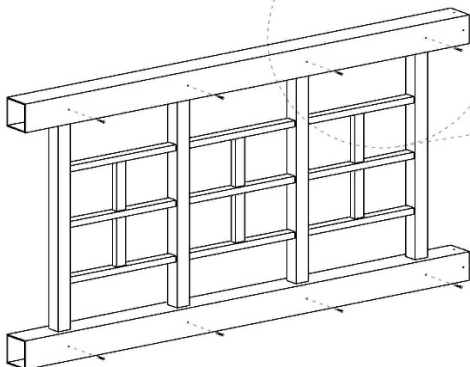
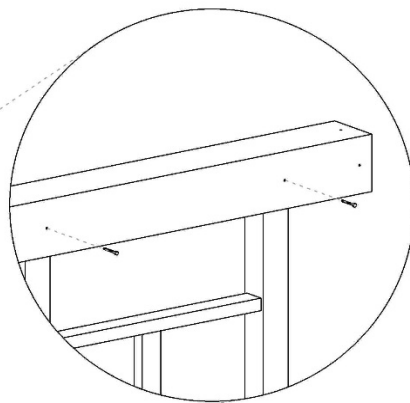
**5**

Insert free ends of vertical rails into corresponding holes of each top/bottom cross rail (part 3).



**6**

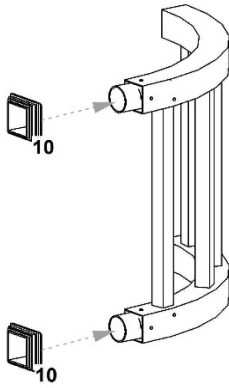
Lay out one right post (part 2). Insert cross rails of assembly into corresponding holes of right post. Slide left post (part 1) onto corresponding holes of assembly. Be sure top of posts with 3 pilot holes are at same end of arbor panel.



**7**

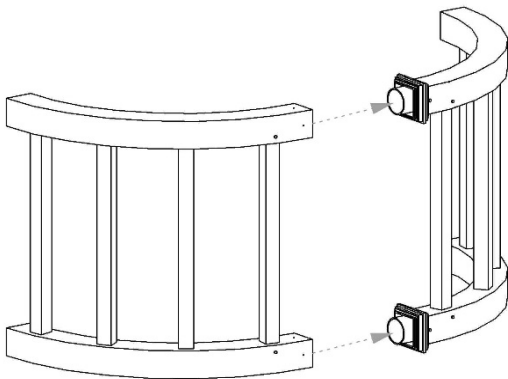
Using eight 1½" screws, screw together arbor panel. Be sure that all parts are fully inserted into the posts before securing.

REPEAT steps 1-7 for second arbor panel.



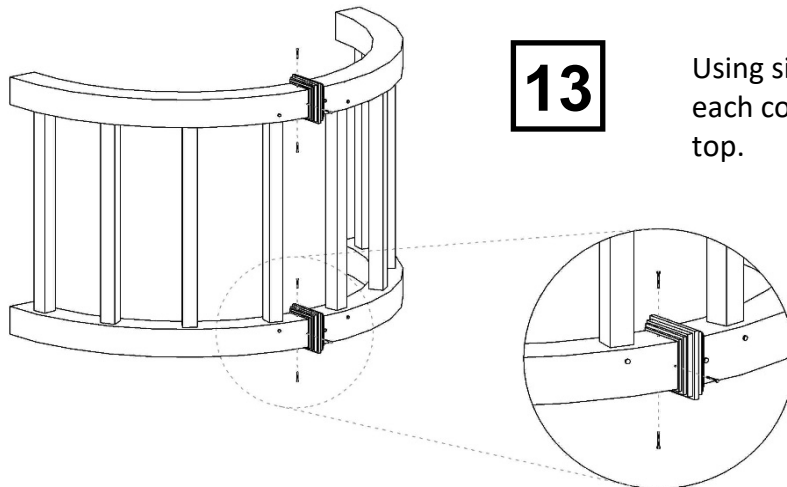
**11**

Slide one decorative knuckle (part 10) over each connector tube and arch half. Slide the knuckle up to the screws fastened in step 10.



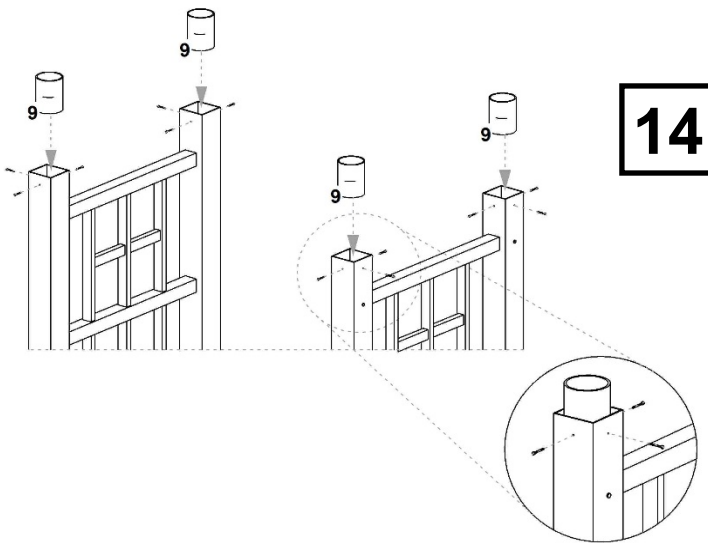
**12**

Connect two arbor halves by inserting connector tubes into one end of remaining arbor top half.



**13**

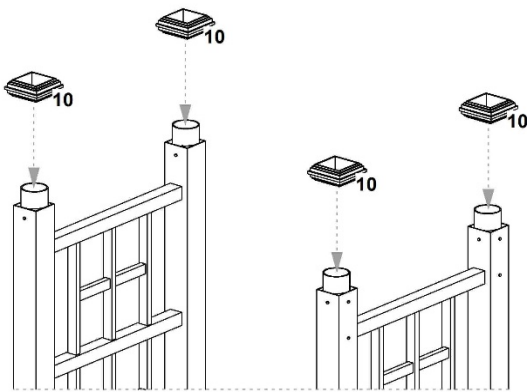
Using six  $\frac{3}{4}$ " screws, fasten arch halves to each connector tubes to complete arbor top.



**14**

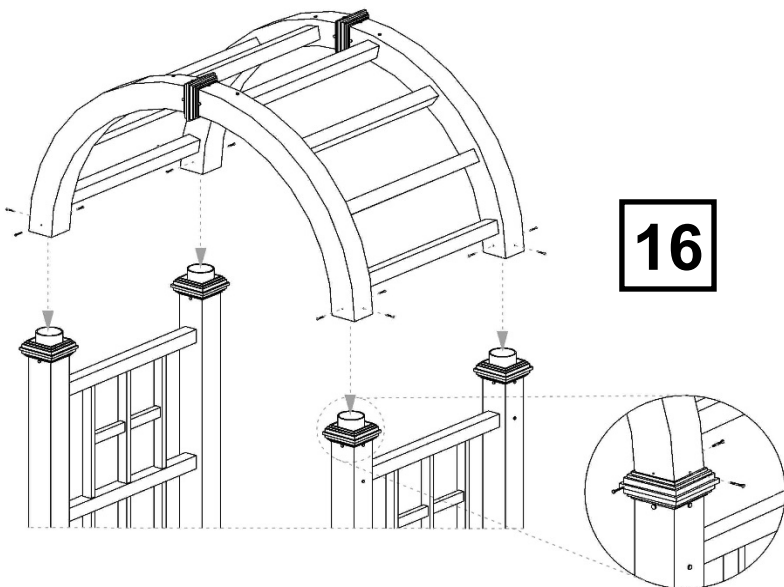
Insert one arbor top connector tube (part 9) into end of each post with three pilot holes. Connector tube will insert half way, resting on cross rail (at black mark).

Using three  $\frac{3}{4}$ " screws per post, fasten connector tubes to posts. .



**15**

Slide one decorative knuckle (part 10) over each connector tube and post end. Slide the knuckle down to the screws fastened in step 14.



**16**

Join posts with arbor top by inserting connector tubes into free ends of arbor top.

Using three  $\frac{3}{4}$ " screws per post, fasten arbor top to connector tubes.

# 17

## ARBOR INSTALLATION

### Option 1

Slide one 24" steel u-channel ground anchor (part 12) into bottom of each post. Slide ground anchor until it meets bottom cross rail. Using 1" self-tapping white-head screw fasten post to ground anchor.

Using ground anchor installation layout drawing, dig holes approximately 16" deep. Set arbor in holes and level. Back fill with soil removed from holes. For permanent installation fill with cement.

### Option 2

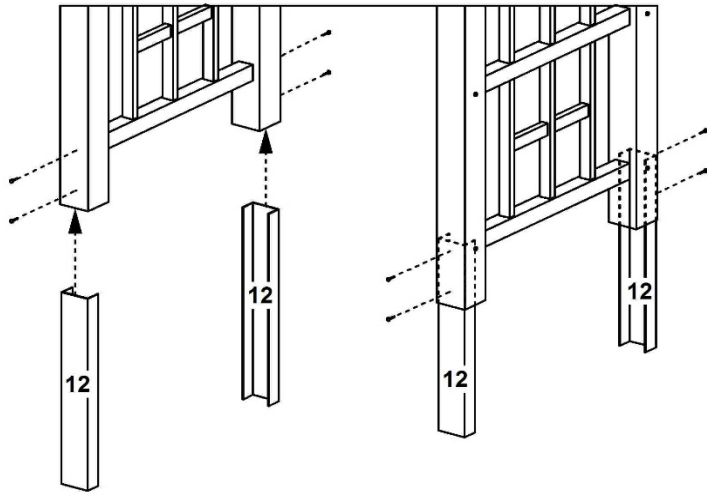
Using ground anchor installation layout drawing, pound ground anchors into ground according to dimensions. When pounding into ground, use block of wood to prevent ground anchor from bending.

Slide arbor over ground anchors. Using 1" self-tapping white-head screw fasten post to ground anchor.

### Option 3

Using ground anchor installation layout drawing, dig holes 16" deep according to dimensions. Fill with cement and place ground anchors in wet cement. Be sure that ground anchors are straight and in accordance with dimension of ground anchor installation layout drawing. Allow cement to dry. NOTE: There is very little room for error with this installation method.

Slide arbor over ground anchors. Using 1" self-tapping white-head screw fasten post to ground anchor.



**Ground Anchor  
Installation Layout**

