



Oxford Trellis

Model# 11175 Assembly Instructions

<u>Part #</u>	<u>Description</u>	<u>Qty</u>
1	2" sq. x 65" Corner Post	1
2	2" sq. x 59½" Left Post	1
3	2" sq. x 59½" Right Post	1
4	¾ x 1½ x 20" Top/Bottom Cross Rail	4
5	¾ x 1½ x 19" Bent Top	2
6	¼ x 1½ x 49" Vertical Slat	4
7	¼ x 1½ x 19¼" Horizontal Slat	12
8	2" sq. x 14" Vinyl Ground Anchor	3
9	Hardware Bag (includes:)	1
	2" sq. Post Cap	3
	¾" Painted Screw	8

General Information

PLEASE READ THROUGH BEFORE BEGINNING ASSEMBLY.

IMPORTANT: Check boxes for Contents Listed

Check inside of parts as some parts are packaged inside of others

In the event of missing, damaged or defective parts please call our customer service dept. at 1-877-258-6020

When assembling components, place on a clean, flat non-abrasive surface to avoid scratches

Tools Required

- ... Battery or Electric Drill with #2 phillips bit
- ... Tape Measure
- ... Hammer or Rubber Mallet (recommended)
- ... PVC, Super, or Crazy Glue



<p>150 Birch Road P.O. Box 122 Sheboygan Falls, WI 53085</p>	<p>1-877-258-6020 www.dura-trel.com sales@dura-trel.com</p>	1
--	---	---

Warranty Statement

20 Year Guarantee

Please call manufacturer direct with questions concerning missing or defective parts at Toll Free: 877-258-6020.

Dura-trel, Inc. products are warranted to be free from manufacturing defects resulting in delaminating, peeling, flaking, corroding, cracking, crazing, or extreme amounts of fading or bleaching causing the PVC to change to its natural color for a period of 20 years from the date of purchase.

Normal weathering is defined as exposure to sunlight and extremes of weather and atmosphere which will cause any colored surface to gradually fade.

CONDITIONS NOT COVERED BY THIS WARRANTY:

- A. Physical abuse, misuse, neglect, or improper storage.
- B. Improper installation or installation not in strict adherence to the instructions written by Dura-Trel, Inc.
- C. This warranty does not apply if materials are painted, varnished, or coated with any substance.
- D. Dura-Trel, Inc. is not responsible for damages to product during shipping.
- E. Damage attributable to atmospheric pollutants, hail, lightning, hurricane, tornado, wind borne objects, earthquake, fire, mildew, casualty, act of God, building or ground settlement, or subjection to stress or weight.

CLAIMS AND REMEDIES:

If a Dura-Trel, Inc. product is determined to have a manufacturing defect which is covered by this warranty, Dura-Trel, Inc. will replace the material containing the defect (labor not included) F.O.B from the point of manufacture. Dura-trel, Inc. will not be responsible for any cost incurred in the removal or reinstallation of the product.

Important: An claims must be sent to the following address and should describe the defect claim.

Dura-Trel, Inc., P.O. Box 122, Sheboygan Falls, WI 53085

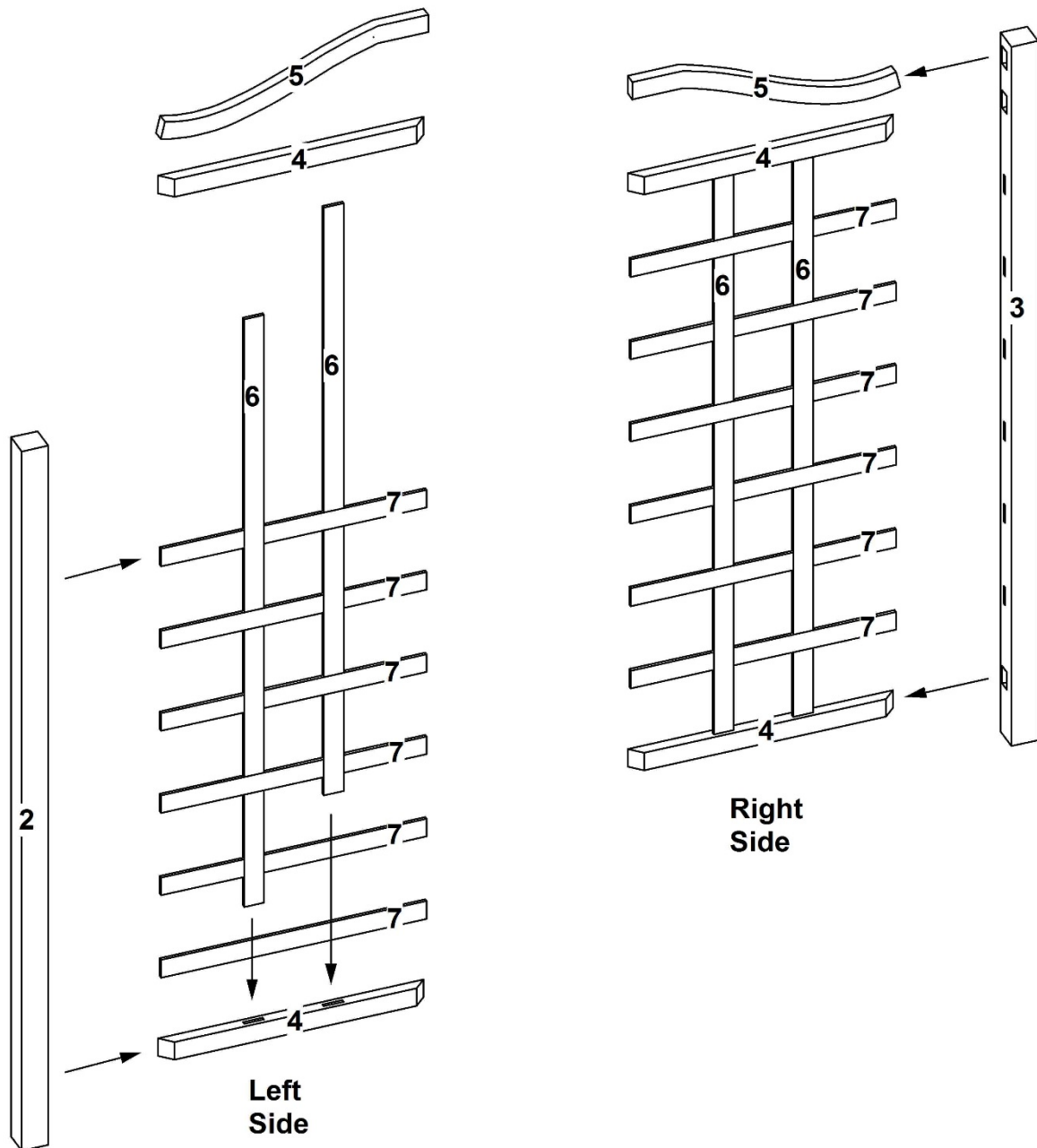
Dura-Trel, Inc. reserves the right to discontinue or change its design, and or color. If the original color or style is not available, Dura-Trel, Inc. shall have the right to substitute a product designated by Dura-Trel, Inc.

Dura-Trel, Inc. shall not be liable for any incidental, special, or consequential damages arising out of the use of these products



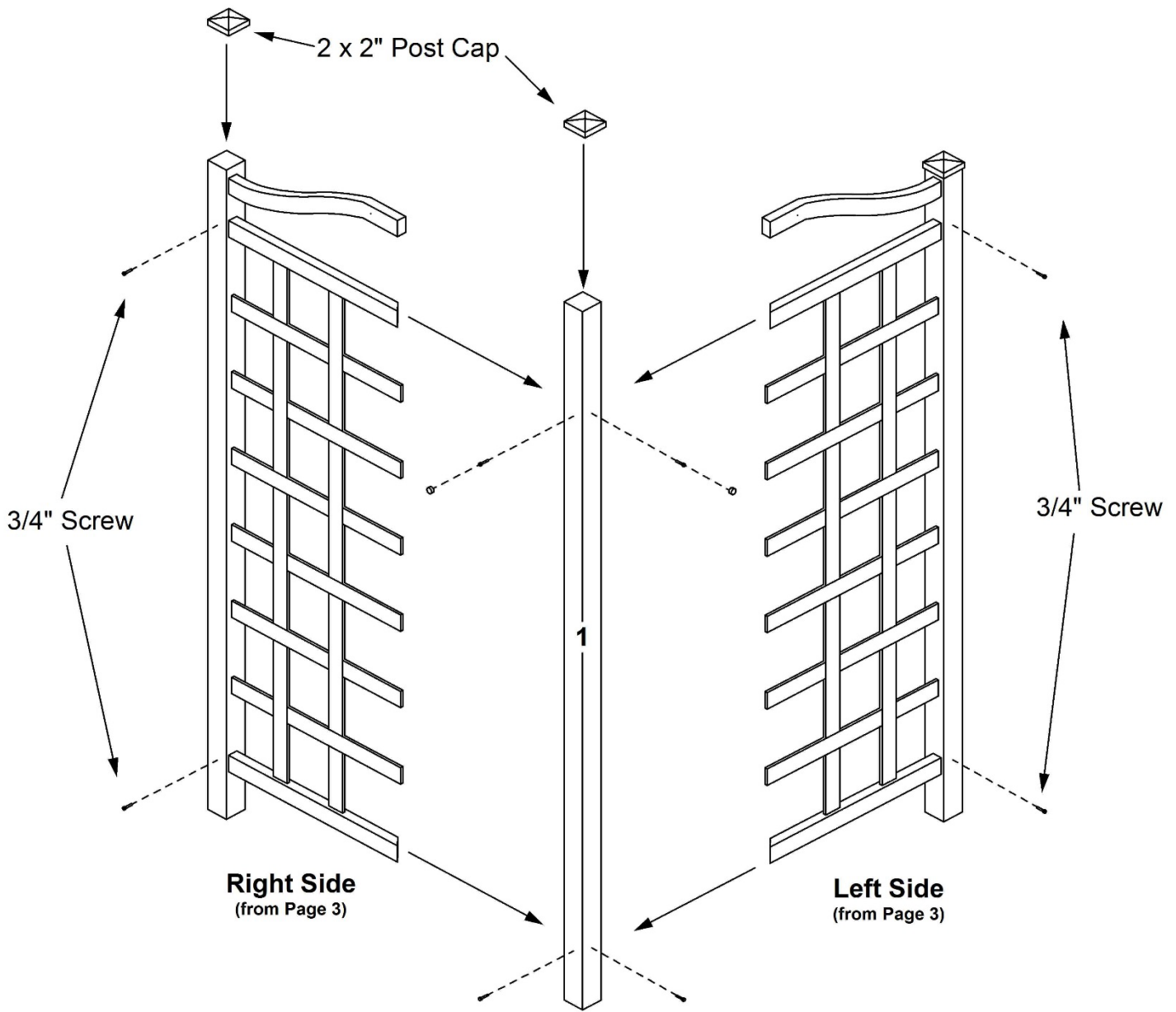
150 Birch Road
P.O. Box 122
Sheboygan Falls, WI 53085

1-877-258-6020
www.dura-trel.com
sales@dura-trel.com



Starting at the bottom of 59½" left post (part 2) insert one 20" top/bottom cross rail (part 4) and six 19¼" horizontal slats (part 7). Starting at top, weave one 49" vertical slat (part 6) above and below horizontal slats, inserting end into bottom cross rail. Weave a second 49" vertical slat (part 6) above and below horizontal slat opposite previous slat, inserting end into bottom cross rail. Insert one 20" top/bottom cross rail (part 4) and one 19" bent top (part 5) into holes at top of post, inserting free ends of vertical slats into top cross rail.

REPEAT using remaining 20" top/bottom cross rail (part 4), 49" vertical slats (part 6), 19¼" horizontal slats (part 7), 19" bent top (part 5) and 59½" right post (part 2) to make right side.



Insert left and right trellis panels (from Page 3) into 65" corner post (part 1). **In order for trellis to look symmetrical, top/bottom cross rails, horizontal slats and bent tops must be fully inserted into 59½" left and right posts.** Using two ¾" screws per outer post and four ¾" screws for corner post, fasten together trellis. Using PVC, super or crazy glue, apply glue to inner corners of each 2" sq. post cap and place on top of each post.

INSTALLATION

In desired location set trellis in place and mark where ground anchors will need to be inserted. Using a block of wood to protect ground anchors; pound each anchor into place. (If ground is extremely hard, loosen or soak soil before inserting ground anchors). Set trellis into ground anchors.

If combining with Model# 11187 Corner Slat Planter to make a planter trellis, use a straight blade screwdriver to pop off three 2" sq. post caps and slide trellis over the planter legs.