



Wellington Arbor

Model# 11179 Assembly Instructions

General Information

PLEASE READ THROUGH BEFORE BEGINNING ASSEMBLY.

IMPORTANT: Check boxes for Contents Listed

Check inside of parts as some parts are packaged inside of others

In the event of missing, damaged or defective parts please call our customer service dept. at 1-877-258-6020

When assembling components, place on a clean, flat non-abrasive surface to avoid scratches

Tools Required

- ... Battery or Electric Drill with #2 phillips bit
- ... Tape Measure
- ... Hammer or Rubber Mallet (recommended)

<u>Part #</u>	<u>Description</u>	<u>Qty</u>
1	2" sq. x 84" Left Post	2
2	2" sq. x 84" Right Post	2
3	7/8 x 1 1/2 x 27 1/2" Outer Cross Rail	4
4	7/8 x 1 1/2 x 27 1/2" Inner Cross Rail	8
5	7/8 x 1 1/2 x 27 1/2" Middle Cross Rail	4
6	1 x 1 x 26 1/2" Vertical Rail	8
7	1 x 1 x 16 3/4" Vertical Rail	8
8	1 x 1 x 13" Vertical Rail	4
9	1 1/2 x 4 x 72" Arbor Top Rail	2
10	7/8 x 1 1/2 x 41" Arbor Top Cross Rail	8
11	7/8 x 1 1/2 x 18" Corner Brace	4
12	5 3/8" Arbor Top End Cap	4
13	Hardware Bag (includes:)	1
	2" sq." Post Cap	4
	7/8 x 1 1/2" End Cap	16
	1 1/4" Painted Screw	28
	3/4" Painted Screw	16
	Super Glue Tube	1
14	Arbor Ground Anchor Kit (includes:)	1
	16" Steel Ground Anchor (L-Shaped)	4
	#8 - 1" Painted Self Tapping Screw	8

Warranty Statement

20 Year Guarantee

Please call manufacturer direct with questions concerning missing or defective parts at Toll Free: 877-258-6020.

Dura-trel, Inc. products are warranted to be free from manufacturing defects resulting in delaminating, peeling, flaking, corroding, cracking, crazing, or extreme amounts of fading or bleaching causing the PVC to change to its natural color for a period of 20 years from the date of purchase.

Normal weathering is defined as exposure to sunlight and extremes of weather and atmosphere which will cause any colored surface to gradually fade.

CONDITIONS NOT COVERED BY THIS WARRANTY:

- A. Physical abuse, misuse, neglect, or improper storage.
- B. Improper installation or installation not in strict adherence to the instructions written by Dura-Trel, Inc.
- C. This warranty does not apply if materials are painted, varnished, or coated with any substance.
- D. Dura-Trel, Inc. is not responsible for damages to product during shipping.
- E. Damage attributable to atmospheric pollutants, hail, lightning, hurricane, tornado, wind borne objects, earthquake, fire, mildew, casualty, act of God, building or ground settlement, or subjection to stress or weight.

CLAIMS AND REMEDIES:

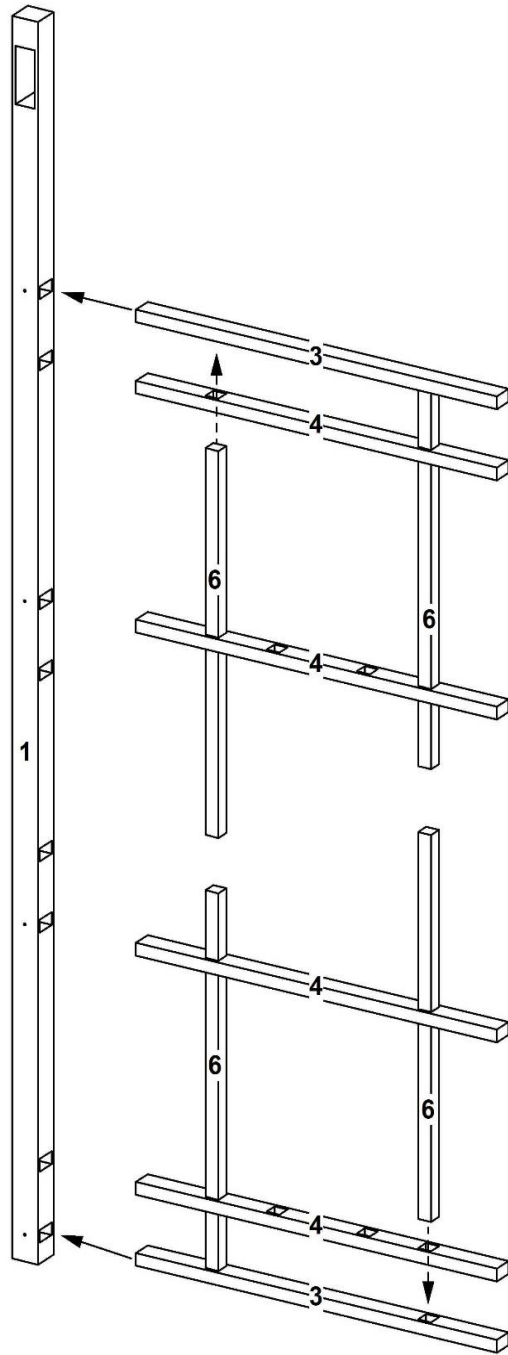
If a Dura-Trel, Inc. product is determined to have a manufacturing defect which is covered by this warranty, Dura-Trel, Inc. will replace the material containing the defect (labor not included) F.O.B from the point of manufacture. Dura-trel, Inc. will not be responsible for any cost incurred in the removal or reinstallation of the product.

Important: An claims must be sent to the following address and should describe the defect claim.

Dura-Trel, Inc., P.O. Box 122, Sheboygan Falls, WI 53085

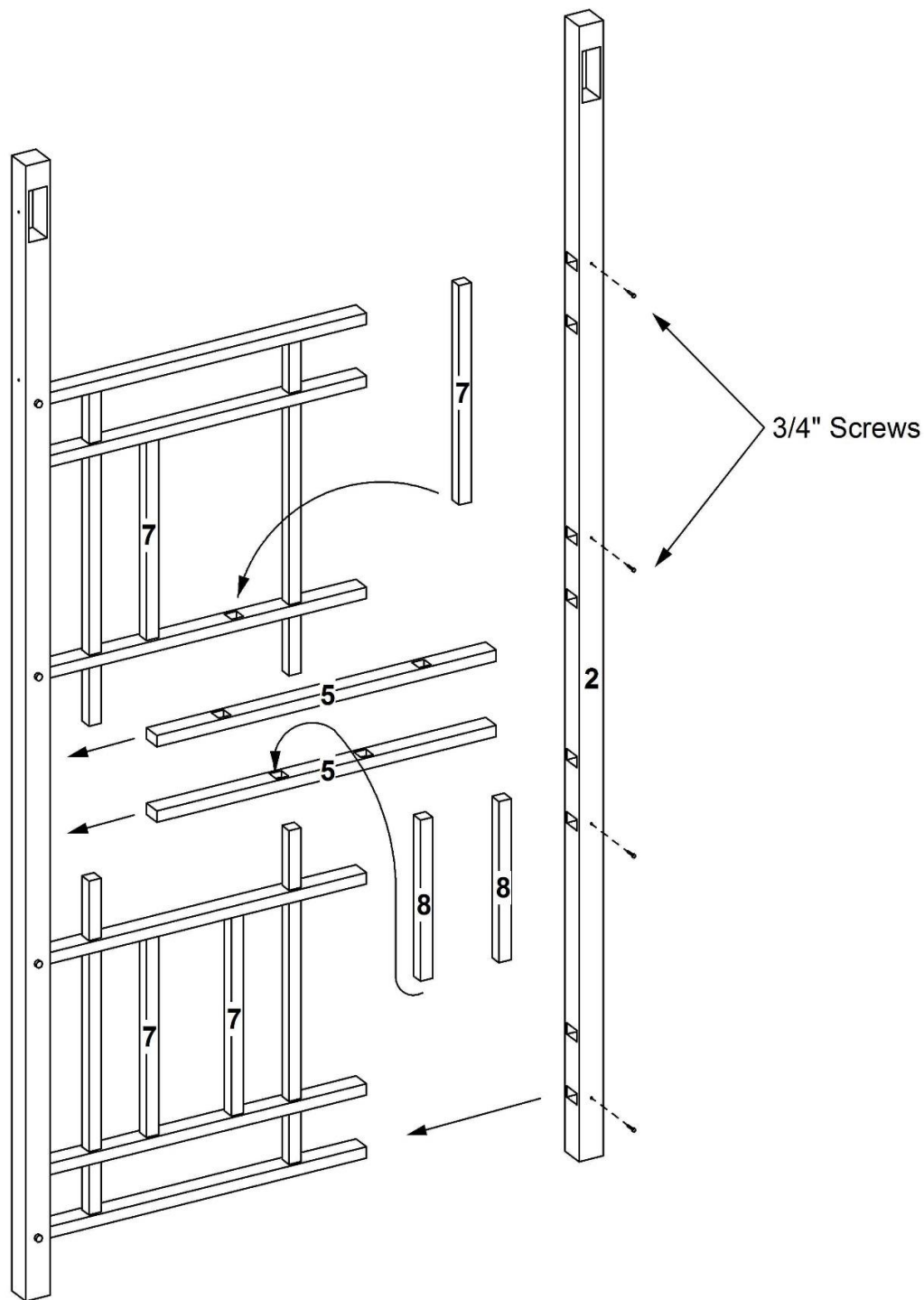
Dura-Trel, Inc. reserves the right to discontinue or change its design, and or color. If the original color or style is not available, Dura-Trel, Inc. shall have the right to substitute a product designated by Dura-Trel, Inc.

Dura-Trel, Inc. shall not be liable for any incidental, special, or consequential damages arising out of the use of these products



Starting at bottom of one 84" left post (part 1), insert one 27½" outer cross rail (part 3) and two 27½" inner cross rails (part 4). When inserting two inner cross rails insert sides with four routed holes facing each other. Insert two 26½" vertical rails (part 6) through outer holes of inner cross rails and into outer holes of outer cross rail.

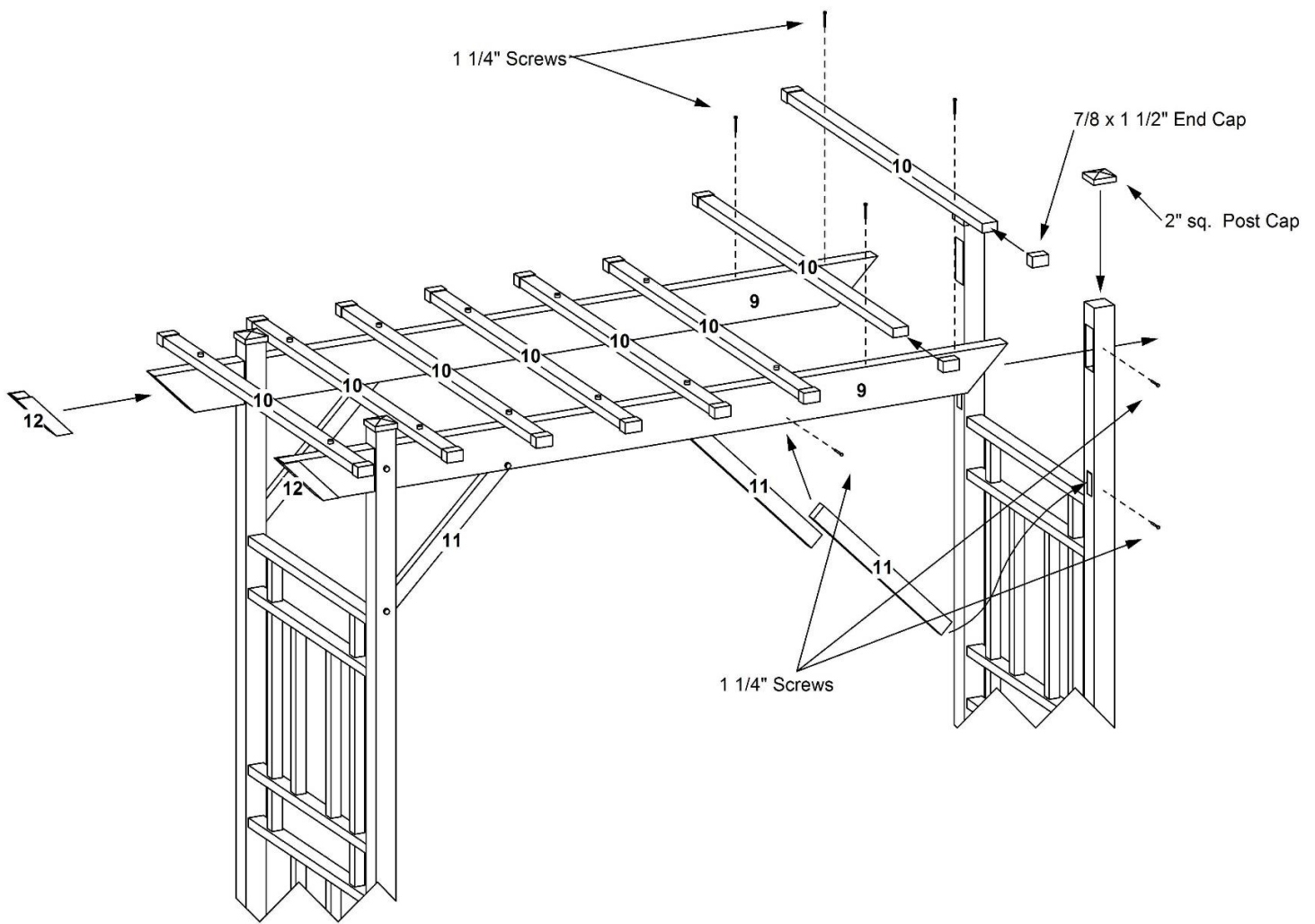
Starting at top of same 84" left post, insert another 27½" outer cross rail (part 3) and two more 27½" inner cross rails (part 4). When inserting two inner cross rails insert sides with four routed holes facing each other. Insert two 26½" vertical rails (part 6) through outer holes of inner cross rails and into outer holes of



Insert two 27½" middle cross rails (part 5) into remaining routed holes in side of post, inserting free ends of 26½" vertical rails into middle cross rail. Insert four 16¾" vertical rails (part 7) into remaining holes in inside cross rails. Insert two 13" vertical rails (part 8) into remaining holes in middle cross rails. Insert free ends of cross rails into one 84" right post (part 2).

Using eight ¾" screws, fasten together arbor panel. Be sure all parts are fully inserted into posts before securing.

REPEAT steps to assemble second arbor panel.



Insert two 18" corner braces (part 11) into each 72" arbor top (part 9). Slide ends of arbor top rail through holes at top of post, inserting corner braces into posts. Measure 9 inches from tips of arbor top rails and slide posts so outside of post in 9 inches from end of arbor top rails. Using three 1¼" screws per post, fasten together posts, arbor top rails and corner braces.

Using two 1¼" screws per part, fasten all eight arbor top cross rails (part 10) to arbor top rails, using small pilot holes to line up screws.

Using included super glue tube, glue 7/8 x 1½" end caps onto ends of each arbor top cross rail. Glue four 5⅜" arbor top end caps (part 12) onto ends of arbor top rails. Glue four 2" sq. post caps onto tops of post.

11179	Wellington Arbor	
1	2" sq. x 88" WLA Left Post	2.00
2	2" sq. x 88" WLA Right Post	2.00
3	$\frac{7}{8}$ x 1 $\frac{1}{2}$ x 27 $\frac{1}{2}$ " WL Outer Rai	4.00
4	$\frac{7}{8}$ x 1 $\frac{1}{2}$ x 27 $\frac{1}{2}$ " WL Inner Ra	8.00
5	$\frac{7}{8}$ x 1 $\frac{1}{2}$ x 27 $\frac{1}{2}$ " WL Middle Ra	4.00
6	1 x 1 x 26 $\frac{1}{2}$ " Rail	8.00
7	1 x 1 x 16 $\frac{3}{4}$ " Rail	8.00
8	1 x 1 x 13" Rail	4.00
9	1 $\frac{1}{2}$ x 4 x 72" CMA Arbor Top	2.00
10	$\frac{7}{8}$ x 1 $\frac{1}{2}$ x 41" CM/WL w/o Caps	8.00
11	$\frac{7}{8}$ x 1 $\frac{1}{2}$ x 18" Rail -Thin	4.00
12	5 $\frac{3}{8}$ " CMA Angled End Cap	4.00
13	Hardware Bag	1.00
	2" sq." Post Cap	4.00
	$\frac{7}{8}$ x 1 $\frac{1}{2}$ " End Cap	16.00
	1 $\frac{1}{4}$ " Painted Screw	28.00
	$\frac{3}{4}$ " Painted Screw	16.00
	Super Glue Tube	1.00
	Grnd Anch - Arbor (2 x 2)	1.00
	#8 - 1" Self Tapping White He	8.00