



Newcastle Arbor

Model# 11196

Assembly Instructions

General Information

PLEASE READ THROUGH BEFORE BEGINNING ASSEMBLY.

IMPORTANT: Check boxes for Contents Listed

Check inside of parts as some parts are packaged inside of others

In the event of missing, damaged or defective parts please call our customer service dept. at 1-877-258-6020 or e-mail sales@dura-trel.com

When assembling components, place on a clean, flat non-abrasive surface to avoid scratches

Tools Required

- ... Battery or Electric Drill with #2 phillips bit
- ... Tape Measure
- ... Hammer or Rubber Mallet (recommended)
- ... Shovel or Post Hole Digger (recommended)
- ... PVC, Super, or Crazy Glue

| <u>Part #</u> | <u>Description</u> | <u>Qty</u> | |
|---------------|---|------------|----|
| 1 | 4" sq. x 93" Left Post | 1 | 2 |
| 2 | 4" sq. x 93" Right Post | 1 | 2 |
| 3 | 7/8 x 1 1/2 x 35" Top/Bottom Cross Rail | 1 | 4 |
| 4 | 7/8 x 1 1/2 x 35" Center Cross Rail | 1 | 12 |
| 5 | 1/4 x 1 1/2 x 66" Vertical Slat | 1 | 8 |
| 6 | 1 1/2 x 5 1/2 x 96" Arbor Top Rail | 1 | 2 |
| 7 | 7/8 x 3 x 46 1/2" Arbor Top Cross Rail | 1 | 8 |
| 8 | 4" sq. New England Post Cap | 2 | 4 |
| 9 | 1 1/2 x 5 1/2" Arbor Top End Cap | 2 | 4 |
| 10 | 24" Steel Ground Anchor (U-shaped) | 1 | 4 |
| 11 | Hardware Bag | 2 | 1 |
| | 7/8 x 3" Arbor Top Cross Cap | | 16 |
| | 2" Painted Screw | | 40 |
| | #8 - 1" Painted Self Tapping Screw | | 8 |
| | Super Glue Tube | | 2 |



150 Birch Road
P.O. Box 122
Sheboygan Falls, WI 53085

1-877-258-6020
www.dura-trel.com
sales@dura-trel.com

Warranty Statement

20 Year Guarantee

Please call manufacturer direct with questions concerning missing or defective parts at Toll Free: 877-258-6020.

Dura-trel, Inc. products are warranted to be free from manufacturing defects resulting in delaminating, peeling, flaking, corroding, cracking, crazing, or extreme amounts of fading or bleaching causing the PVC to change to its natural color for a period of 20 years from the date of purchase.

Normal weathering is defined as exposure to sunlight and extremes of weather and atmosphere which will cause any colored surface to gradually fade.

CONDITIONS NOT COVERED BY THIS WARRANTY:

- A. Physical abuse, misuse, neglect, or improper storage.
- B. Improper installation or installation not in strict adherence to the instructions written by Dura-Trel, Inc.
- C. This warranty does not apply if materials are painted, varnished, or coated with any substance.
- D. Dura-Trel, Inc. is not responsible for damages to product during shipping.
- E. Damage attributable to atmospheric pollutants, hail, lightning, hurricane, tornado, wind borne objects, earthquake, fire, mildew, casualty, act of God, building or ground settlement, or subjection to stress or weight.

CLAIMS AND REMEDIES:

If a Dura-Trel, Inc. product is determined to have a manufacturing defect which is covered by this warranty, Dura-Trel, Inc. will replace the material containing the defect (labor not included) F.O.B from the point of manufacture. Dura-trel, Inc. will not be responsible for any cost incurred in the removal or reinstallation of the product.

Important: An claims must be sent to the following address and should describe the defect claim.

Dura-Trel, Inc., P.O. Box 122, Sheboygan Falls, WI 53085

Dura-Trel, Inc. reserves the right to discontinue or change its design, and or color. If the original color or style is not available, Dura-Trel, Inc. shall have the right to substitute a product designated by Dura-Trel, Inc.

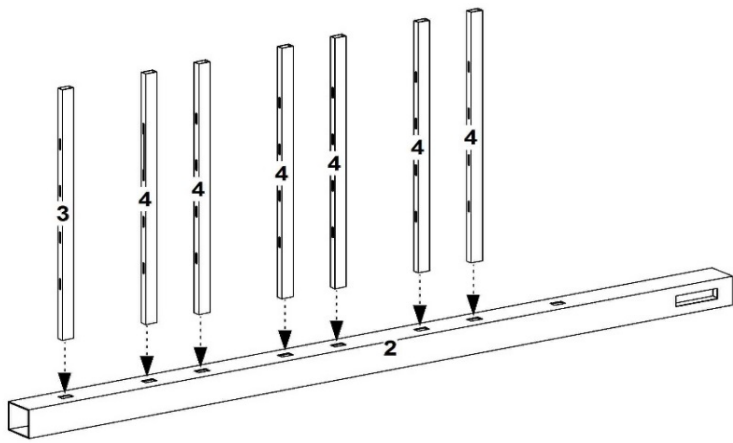
Dura-Trel, Inc. shall not be liable for any incidental, special, or consequential damages arising out of the use of these products



150 Birch Road
P.O. Box 122
Sheboygan Falls, WI 53085

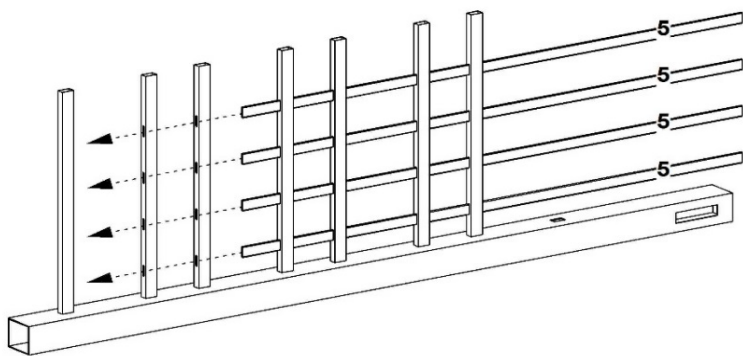
1-877-258-6020
www.dura-trel.com
sales@dura-trel.com

2



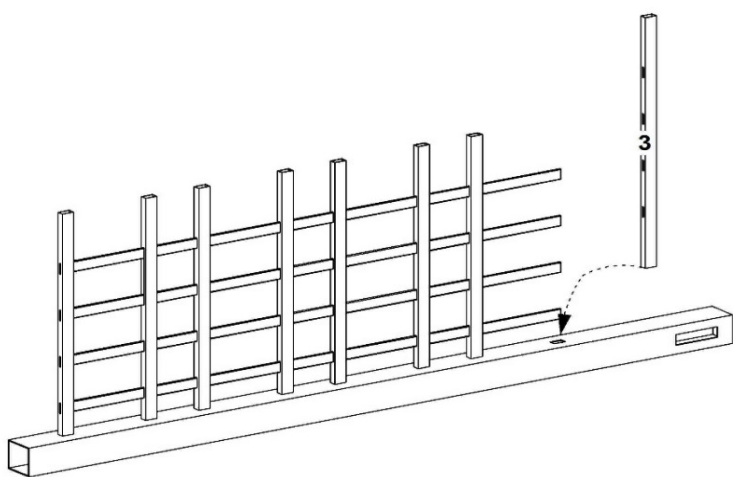
1

Lay out one right post (part 2). Starting at the bottom, insert one top/bottom rail (part 3) and six center rails (part 4).



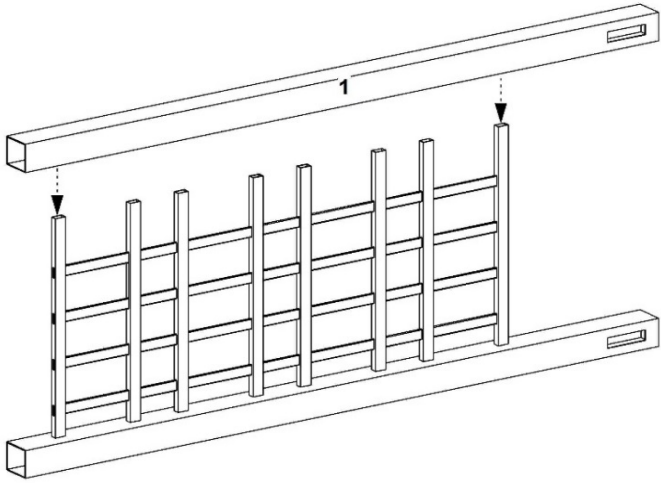
2

Insert four vertical slats (part 5) through the center rails and into the bottom rail.



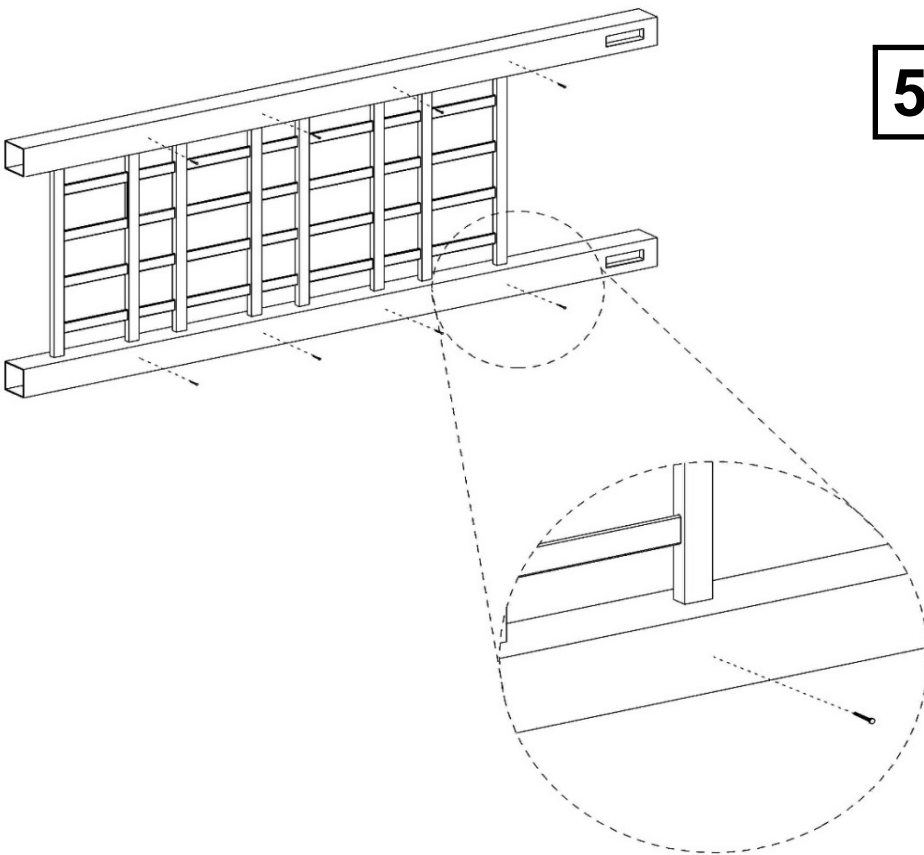
3

Insert second top/bottom rail (part 3) into the post and slide vertical slats into top rail.



4

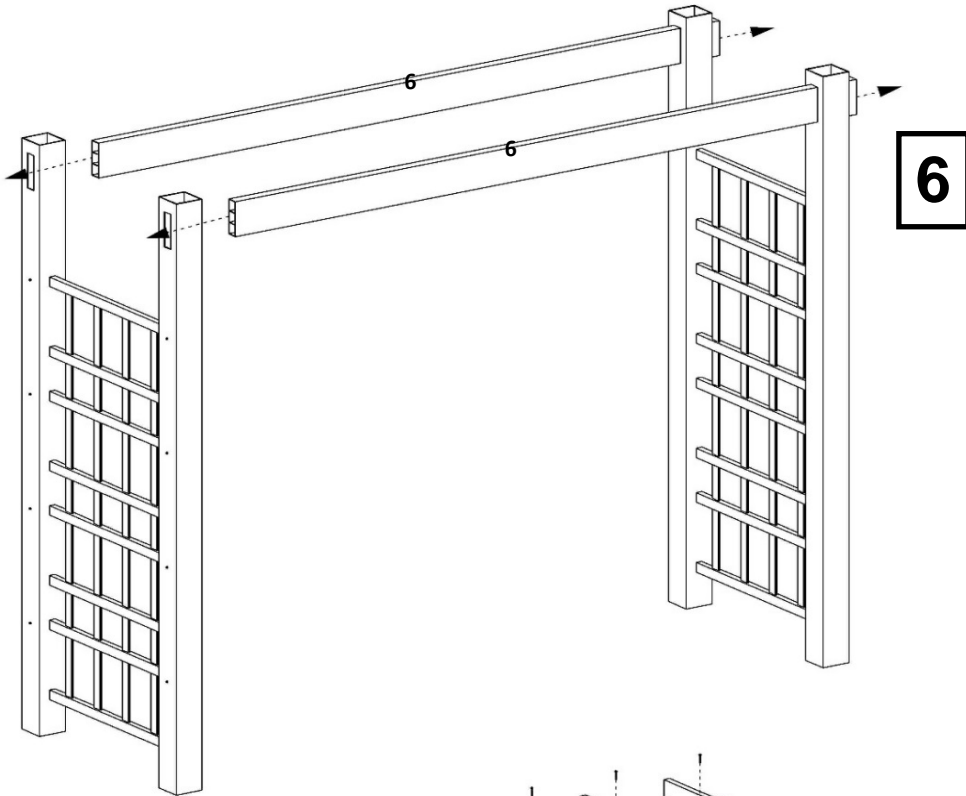
Slide left post (part 1) over corresponding cross rails.



5

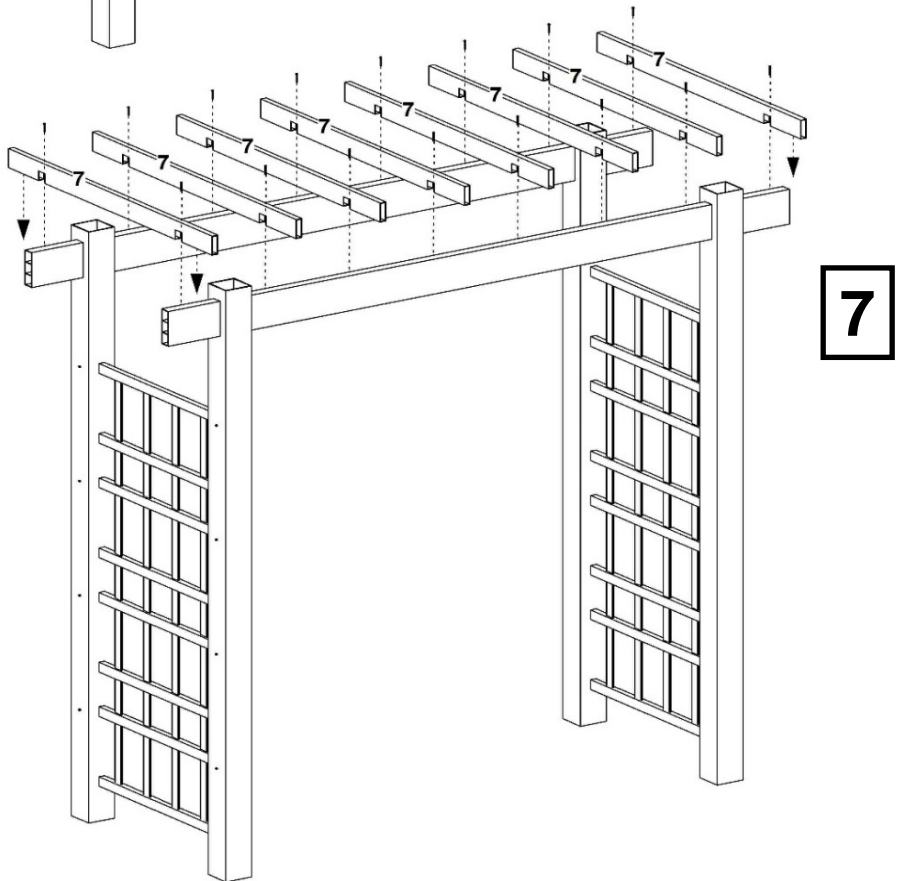
Using 2" screws, screw together the arbor panel. Be sure all parts are fully inserted into posts before securing.

REPEAT steps 1-5 to complete the other side panel.



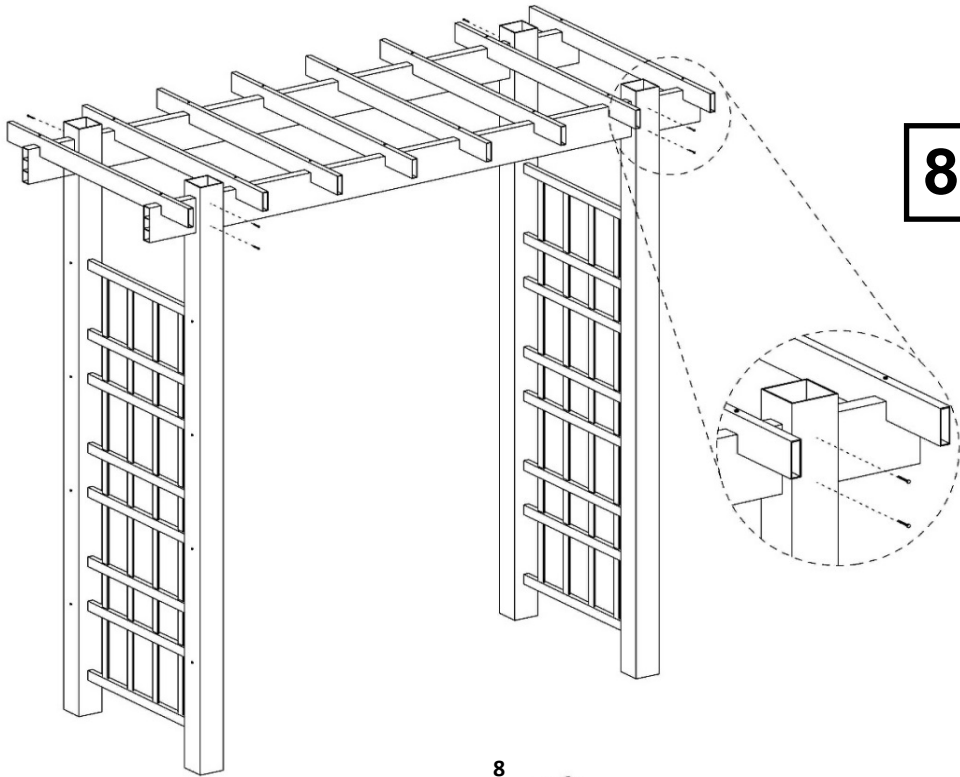
6

Insert ends of arbor top rails (part 6) through holes at top of each post of arbor panels.



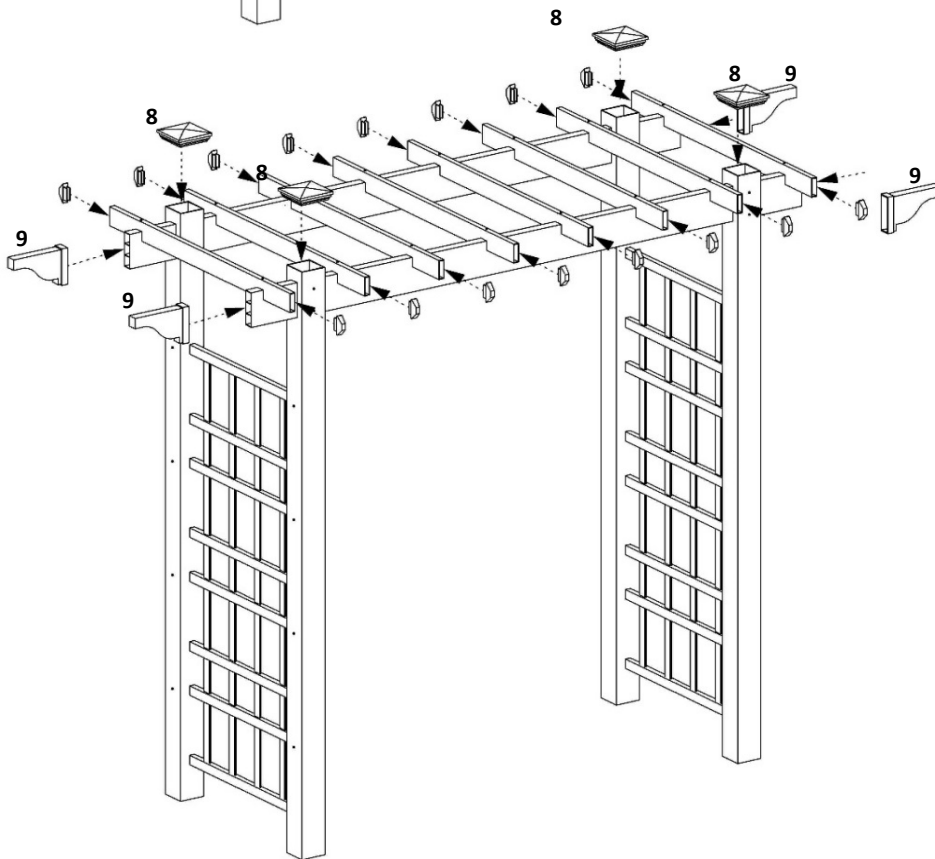
7

Using 2" screws, screw arbor top cross rails (part 7) to arbor top rails using small pilot holes as guides.



8

Using 2" screws, finish screwing arbor top to arbor panels. Be sure that all parts are fully inserted before screwing.



9

Using super glue tubes, glue four arbor top end caps (part 9) onto ends of arbor top rails. Glue 4" sq. post caps (part 8) onto posts. Glue $\frac{7}{8}$ x 3" caps onto ends of arbor top cross rails.