



WINDFORD GATE

ASSEMBLY & INSTALLATION INSTRUCTIONS

PARTS LIST:

Part #	Description	Qty
1	1½" x 4" x 37¼" Post	2
2	2" sq. x 48¾" Top/Bottom Cross Rail	2
3	2" sq. x 48¾" Center Cross Rail	2
4	⅞" x 1½" x 35" Outside Vertical Rail	4
5	⅞" x 1½" x 35" Middle Vertical Rail	2
6	⅞" x 1½" x 16" Rail	2
7	Hinge Pack	2
8	Gate Latch Pack	1
9	Hinge Screw Pack (contains 18 screws)	1
10	Hardware Kit (includes):	
	4" Post End Cap	4
	1½" Kappet Screw	16
	Kappet Screw Cap	16

GENERAL INFORMATION:

- » Read through carefully before beginning assembly.
- » When assembling components, place on a clean, flat, non-abrasive surface to avoid scratches.
- » In the event of missing or defective parts, please call our customer service department directly at **1-877-258-6020**

TOOLS REQUIRED:

- » Cordless Drill with #2 phillips bit
- » Tape Measure
- » Level
- » File or Sandpaper

FIGURE 1
Product and hanging
dimensions

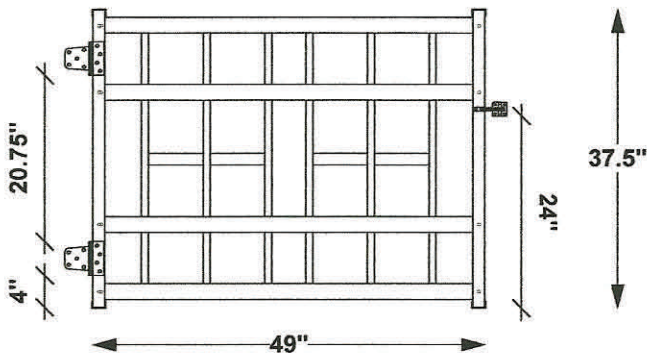
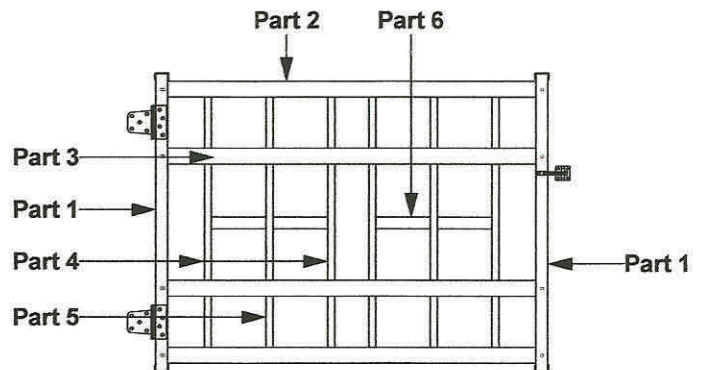
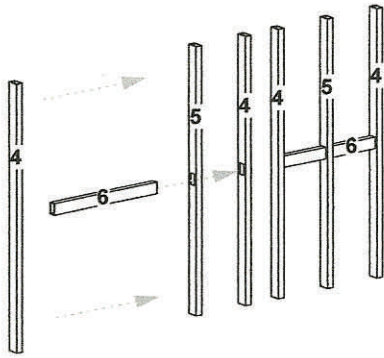


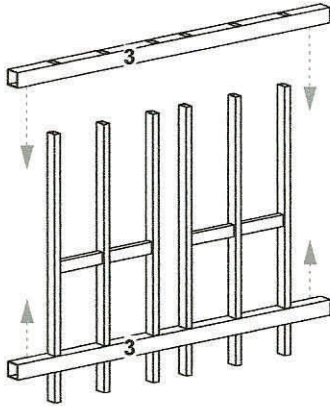
FIGURE 2
Part identification





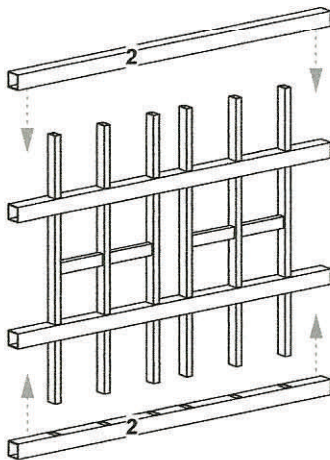
1

Lay out two middle vertical rails (part 5). Insert one 16" rail (part 6) through center hole of each middle vertical rail. Insert free ends of each 16" rail into center hole of each outside vertical rail (part 4).



2

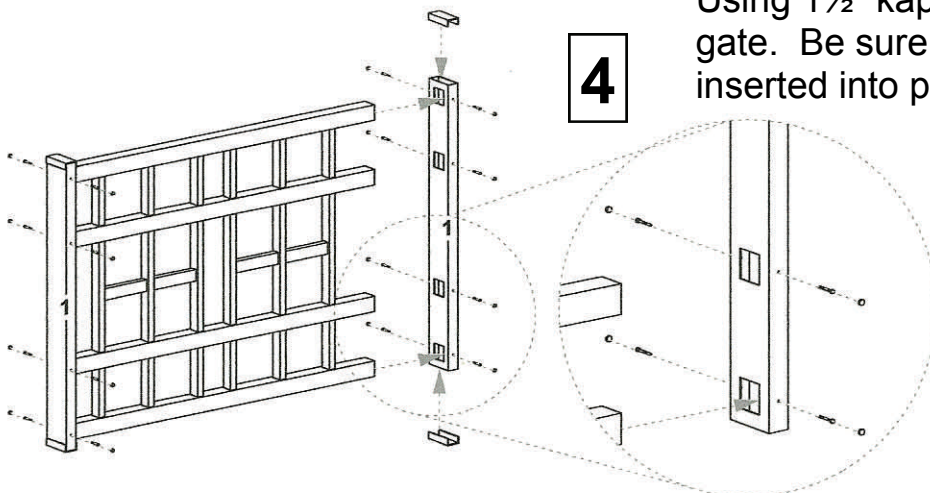
Insert free ends of vertical rails through corresponding holes of each center rail (part 3).



3

Insert free ends of vertical rails into corresponding holes of each top/bottom rail (part 2).

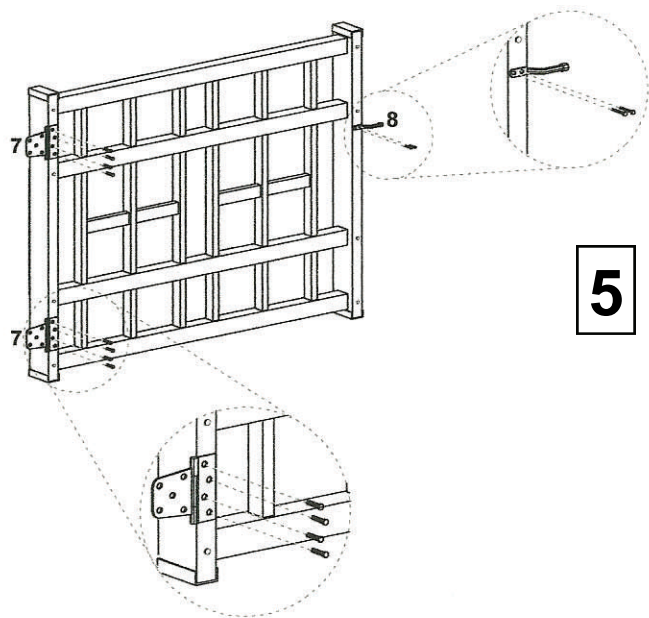
Insert free ends of cross rails into each post (part 1).



4

Using 1½" kappet screws, screw together gate. Be sure that all parts are fully inserted into posts before securing. Snap kappet screw caps over screw heads.

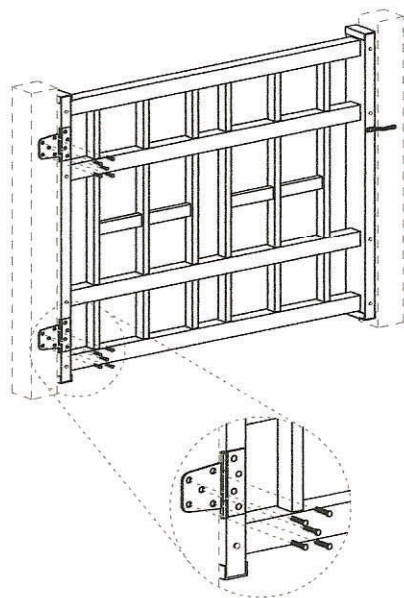
Using PVC cement or super glue, glue 4" post end caps to the top and bottom of each gate post. Using a file, file edges of end cap.



5

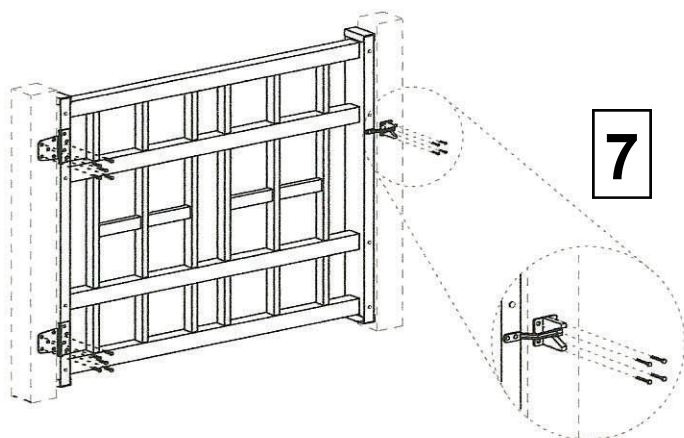
Using four screws from hinge screw pack (part 9), fasten lower hinge (part 7) 4" from bottom of desired post to bottom of hinge (figure 1). Fasten upper hinge 20³/₄" from top of lower hinge to bottom of upper hinge. When fastening hinges, fasten narrow end with four screws to gate post.

Using two screws included in gate latch pack (part 8), fasten latch bolt 24" (figure 1) from bottom of opposite post.



6

Using ten screws from hinge screw pack, fasten hinges to arbor post. When fastening gate hinges, use level to be sure gate hangs and swings straight.



7

Close gate in arbor opening. Using remaining four screws included in gate latch pack, fasten latch receiver to arbor post so that gate latches when closed.